

FEATURES

- 350-1100nm Range
- 6.6 mm² sensing area
- High Shunt Resistance

APPLICATIONS

- Photometer
- Optical switch
- Display Light Control

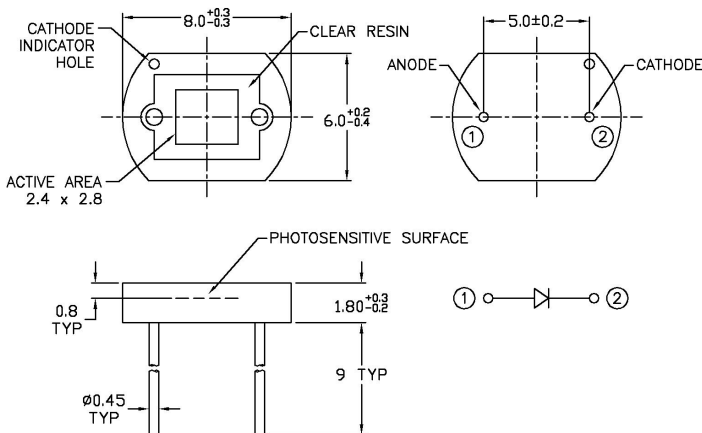


DESCRIPTION: PIN-6.6DPC is a 6.6 mm² sensing area, low noise Silicon Photodiode packaged in a ceramic package that is light-impervious to ensure no stray light reach the active area from the side or backside. Die inside is protected by a clear resin.

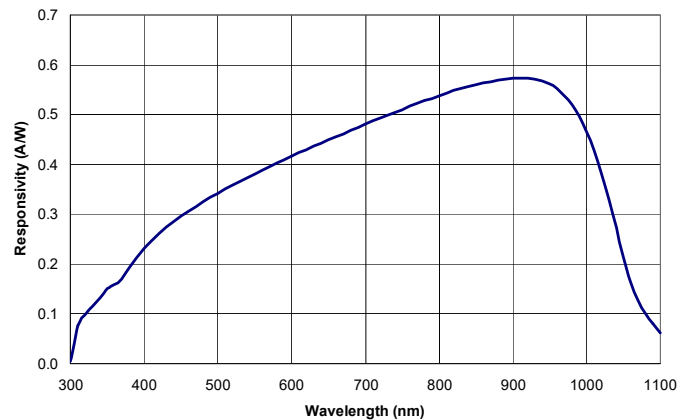
ELECTRO-OPTICAL CHARACTERISTICS (T_A = 25°C unless otherwise noted)

PARAMETER	SYMBOL	CONDITION	MIN	TYP	MAX	UNITS
Active Area Size				2.4 x 2.8		mm
Effective Active Area	AA			6.6		mm ²
Spectral Range	S		350		1100	nm
Responsivity	R _λ	560nm		0.34		A/W
		633nm		0.4		
		Peak		0.56		
Shunt Resistance	R _{sh}	-10mV	0.5	5		G. Ohm
Capacitance	C _t	0V		750		pF
Rise Time	t _R	0V, 1k.Ohm		2.5		μs
Operating Temperature	Topr			-10 to +60		°C
Storage Temperature	Tstg			-20 to +70		°C

PACKAGE OUTLINE: shown dimensions are in mm



TYPICAL RESPONSIVITY (T_A = 25°C)



Information in this datasheet is believed to be correct and reliable. However, no responsibility is assumed for possible inaccuracies or omission. Specifications are subject to change without notice.